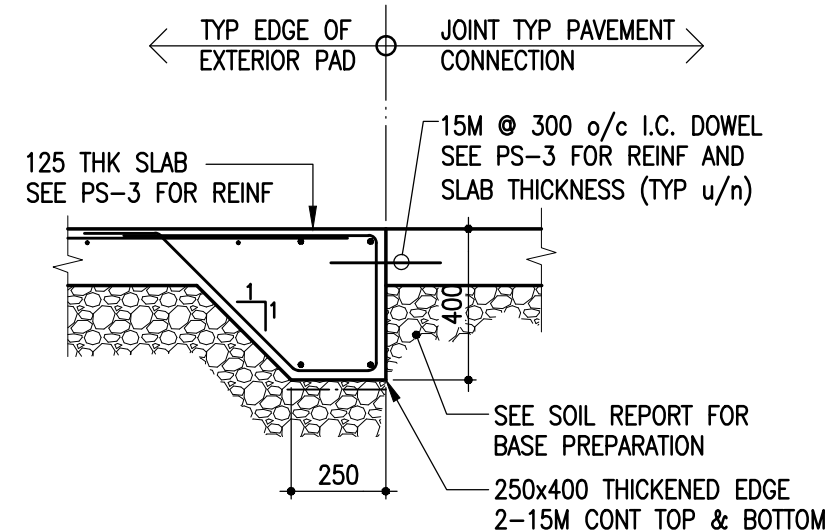
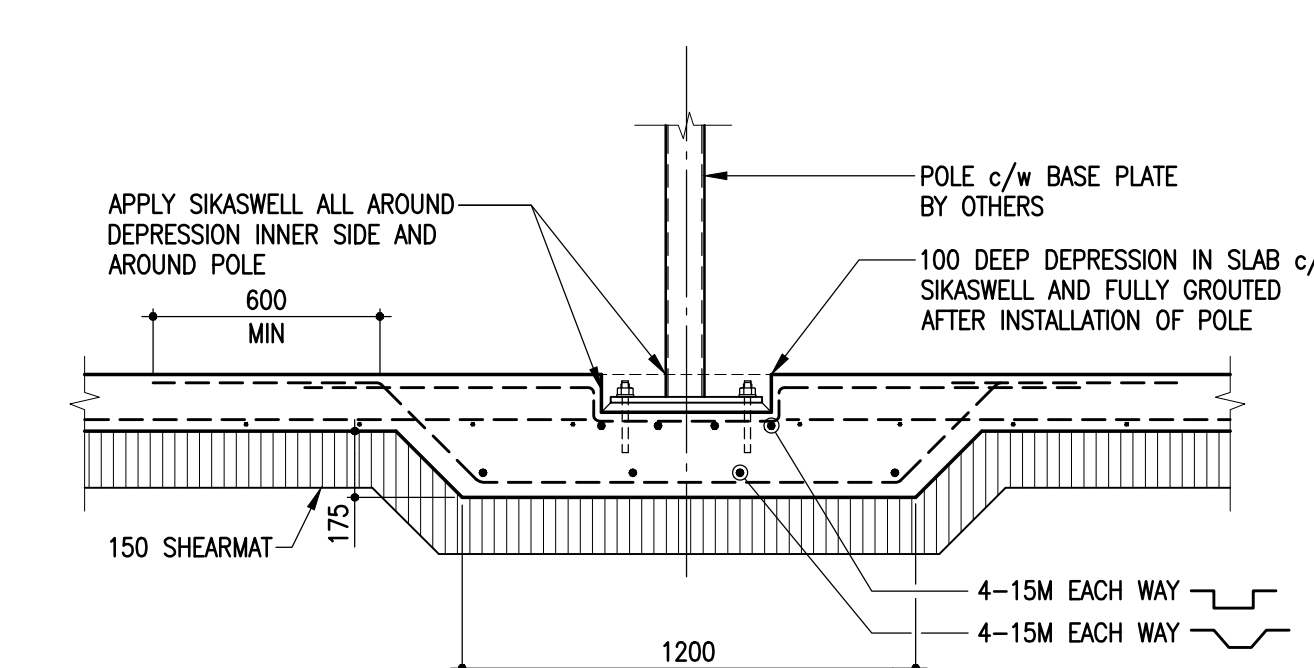


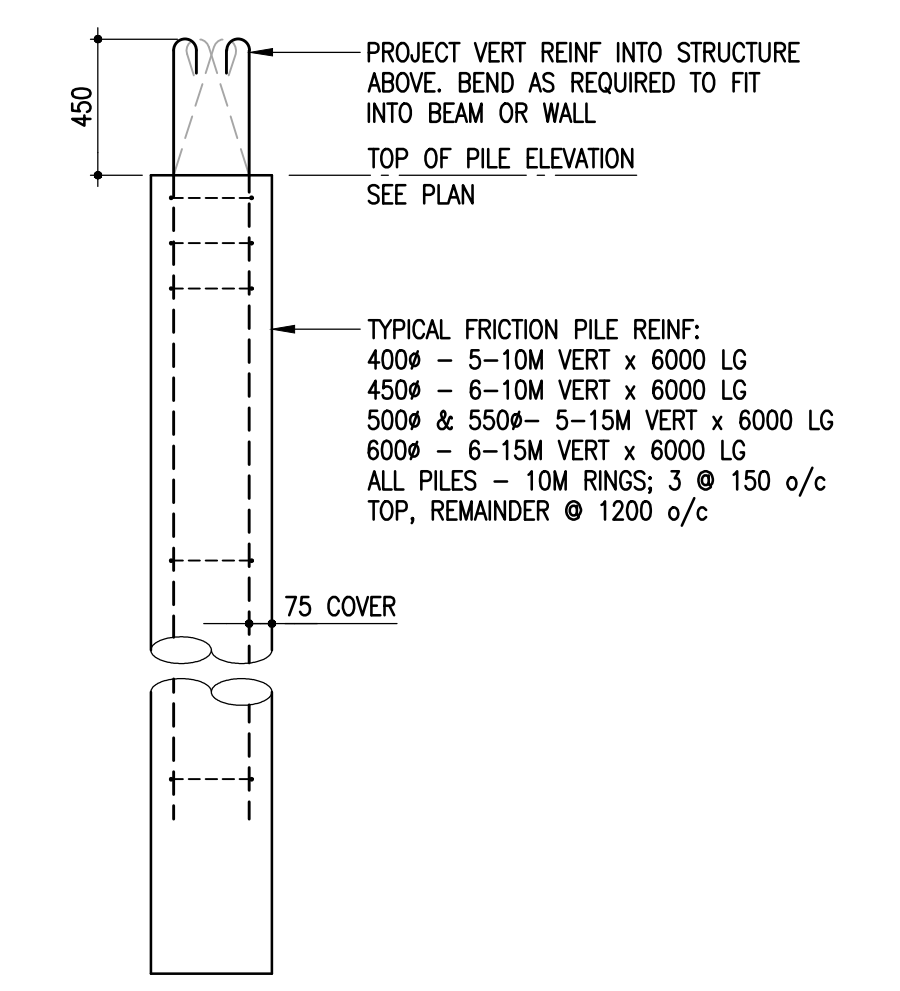
TYPICAL PLANTER'S BOX WALL DETAIL  
SCALE: 1 : 20



SECTION 1 S-8  
1:20  
- TYPICAL EXTERIOR PAD WITH THICKENED EDGE

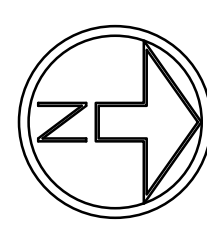


A POLE DETAIL  
S-8 1:20  
NOTE: TYPICAL AT EACH WATER FEATURE STRUCTURE. SEE LANDSCAPE FOR LOCATION



TYPICAL FRICTION PILE DETAIL  
SCALE: 1 : 25  
NOTE: UNDERPINNING PILE TO u/s OF EXISTING TUNNEL SLAB OR u/s OF PLUG WALL.

REFERENCE GEODETIC ELEVATION:  
100 000 = 231.60  
NOTE: REFER TO LANDSCAPE DRAWING FOR TOP OF CONCRETE ELEVATIONS AND SITE CONFIRM PRIOR TO CONSTRUCTION



POOL FOUNDATION/FRAMING PLAN  
SCALE: 1 : 100

- DESIGN LIVE LOAD = 3.6 kPa + WATER
- DESIGN DEAD LOAD = 3.6 kPa
- ALL SURFACES EXPOSED TO POOL WATER TO BE APPLIED WITH AQUAFIN INSTALLED AS PER SUPPLIER'S SPECIFICATION
- ALL DIMENSIONS TO BE SITE VERIFIED PRIOR TO CONSTRUCTION
- ALL DIMENSIONS, TOP OF CONCRETE ELEVATIONS, SLOPES DRAIN LOCATIONS AND EXTENT OF NEW POOL DECK CONCRETE ARE TO BE CONFIRMED WITH ARCHITECTURAL AND LANDSCAPE DRAWINGS PRIOR TO CONSTRUCTION
- SITE VERIFY ALL EXISTING PILES THAT SUPPORT END WALL OF EXISTING POOL TO BE DEMOLISHED, AND INSTALL NEW PILES IN BETWEEN THE EXISTING PILES.
- REFER TO DWG S-1 FOR GENERAL NOTES

NOTE:  
- COORDINATE WITH MECH AND CIVIL FOR ALL PLUMBING AND DRAINAGE PIPE INSTALLATION WITHIN THE BUILDING FOOTPRINT.  
- USE TEMPORARY STEEL CASINGS (i.e. SLEEVES) IF SLOUGHING OF THE PILE HOLE OCCURS.  
- SEE SOIL REPORT FOR FURTHER RECOMMENDATIONS

CONCRETE BEAM SCHEDULE

MARK	DESCRIPTION
PB1	200x600 CONCRETE BEAM ON 150 SHEARMAT 2-20M TOP CONT 2-20M BOTTOM CONT 10M STIRRUPS @ 400 o/c
PB2	200x900 CONCRETE BEAM ON 150 SHEARMAT 2-20M TOP CONT 2-20M BOTTOM CONT 1-15M HORIZONTAL MID HEIGHT EACH FACE 10M STIRRUPS @ 400 o/c

CONCRETE WALL SCHEDULE

MARK	DESCRIPTION
PW1	200 CONCRETE WALL ON 150 SHEARMAT r/w 2-20M TOP AND BOTTOM 15M VERTICAL @ 300 o/c EACH FACE OUTSIDE LAYER 10M HORIZ @ 300 o/c EACH FACE INSIDE LAYER

CONCRETE SLAB SCHEDULE

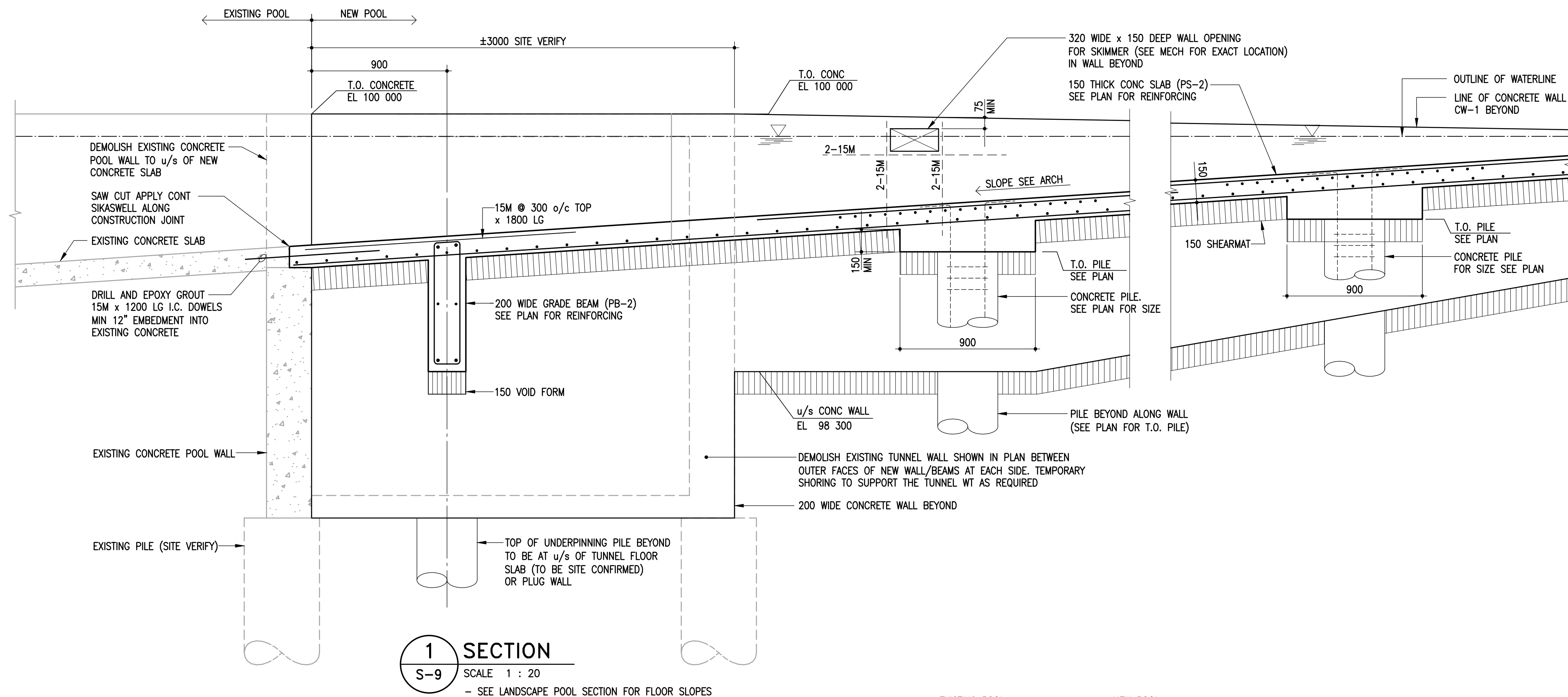
MARK	DESCRIPTION
PS-1	200 THICK CONCRETE SLAB ON 150 SHEARMAT 15M @ 200 o/c EACH WAY BOTTOM
PS-2	150 THICK CONCRETE SLAB ON 150 SHEARMAT 15M @ 200 o/c EACH WAY BOTTOM
PS-3	125 THICK CONCRETE SLAB ON 150 COMP GRANULAR FILL TO 100% SPMD 10M @ 400 o/c EACH WAY TOP

REINFORCING MAT SCHEDULE

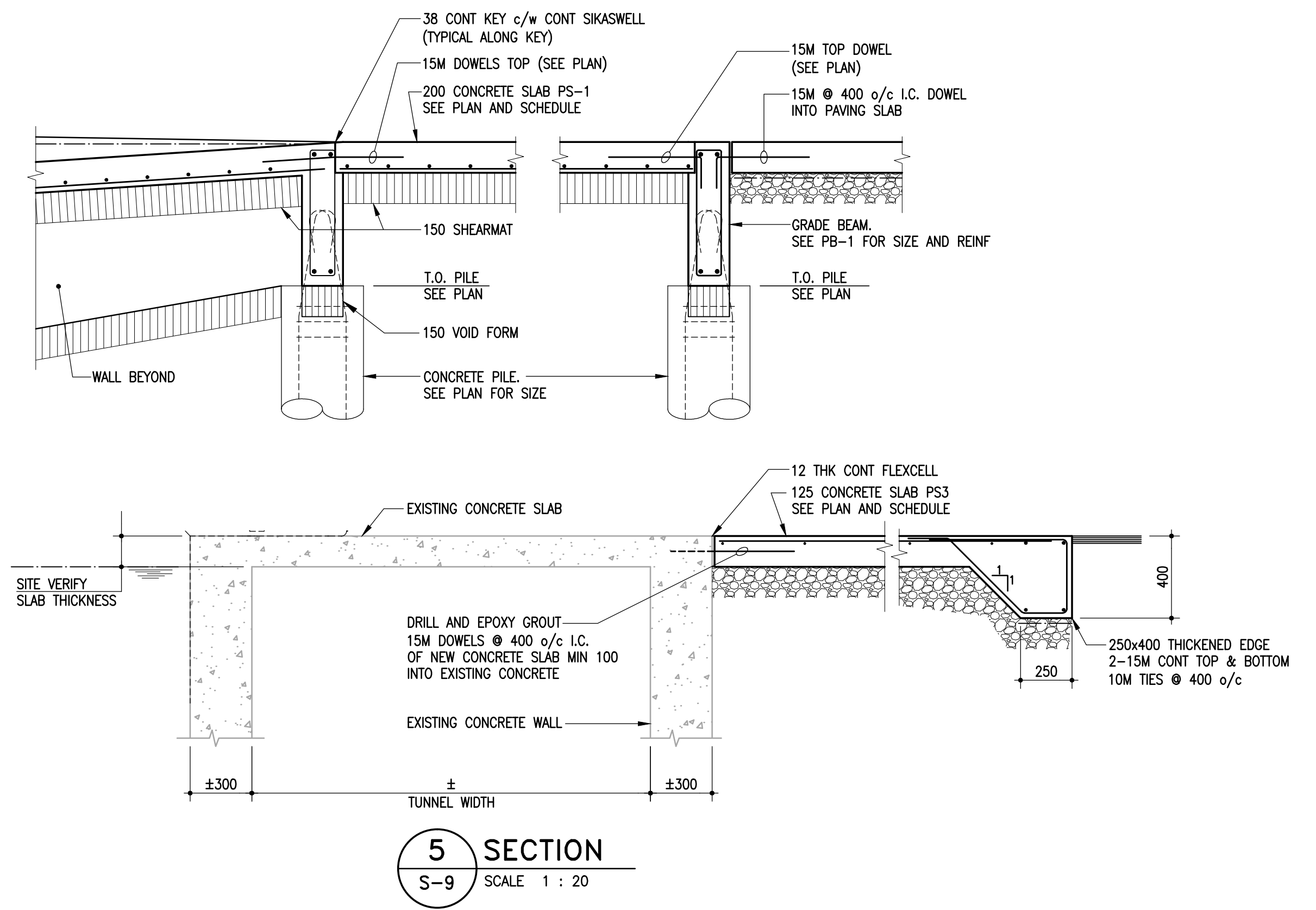
MARK	DESCRIPTION
PM1	16-15M x 2400 LONG @ 100 o/c TUL 16-16M x 2400 LONG @ 100 o/c TLL

DROP PANEL SCHEDULE

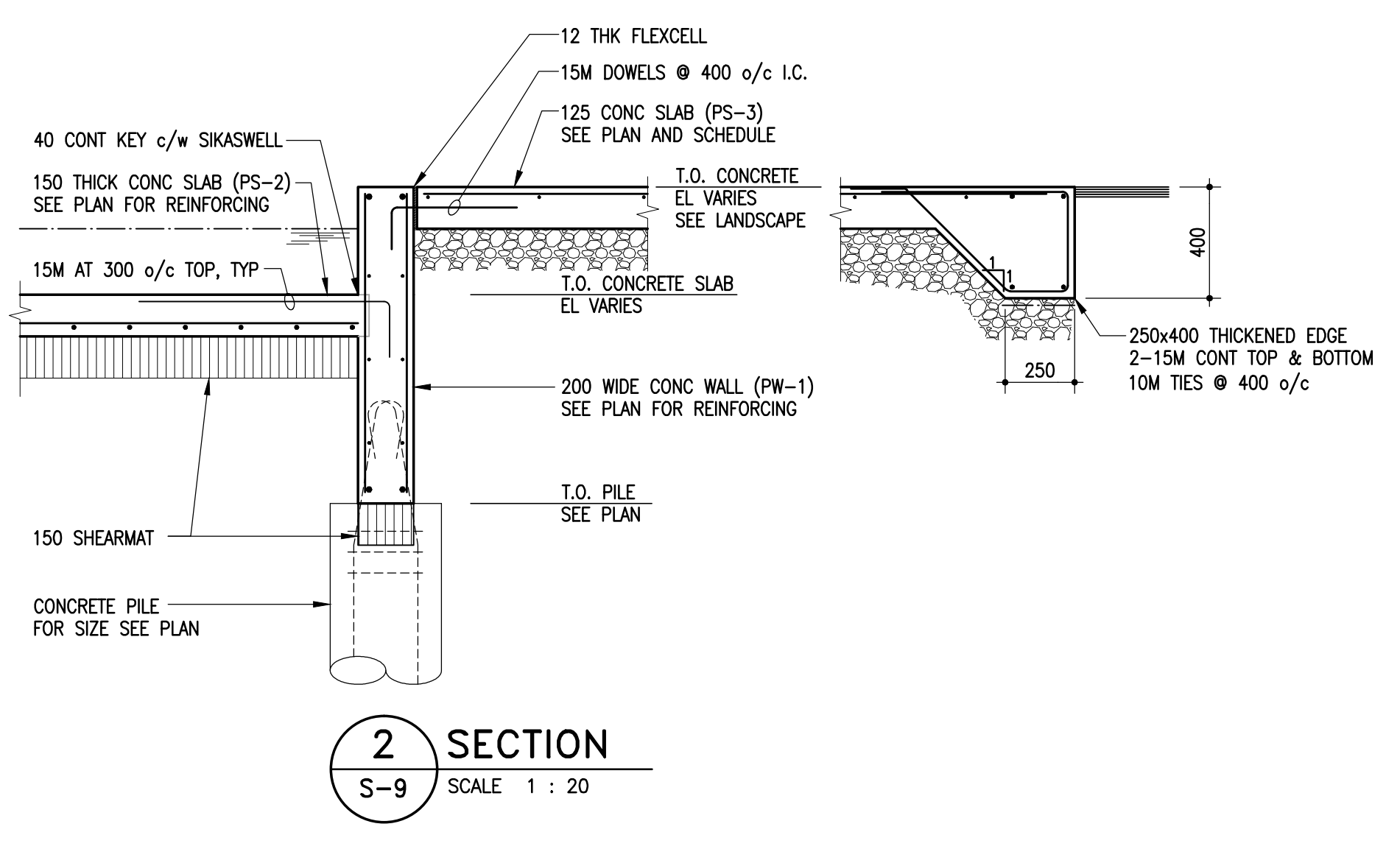
MARK	DESCRIPTION
PD1	900x900 x 150 DEEP DROP PANEL



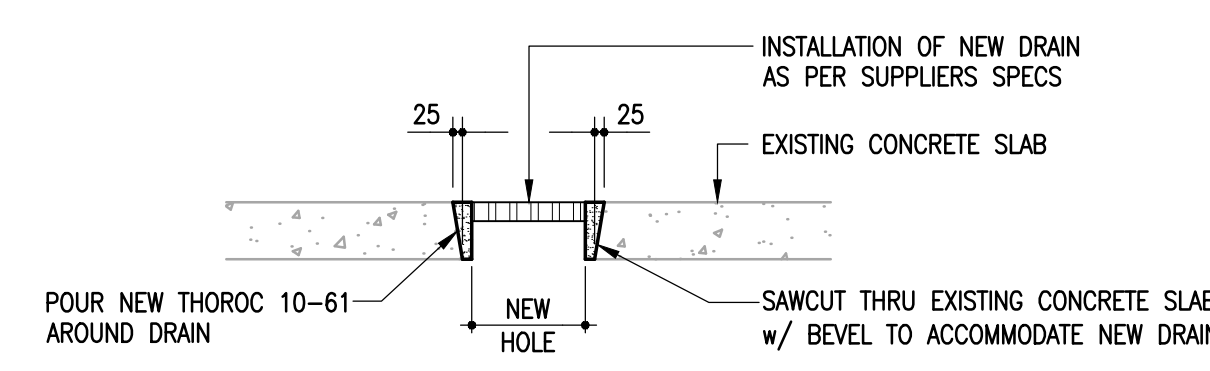
**1 SECTION**  
S-9 SCALE 1 : 20  
- SEE LANDSCAPE POOL SECTION FOR FLOOR SLOPES



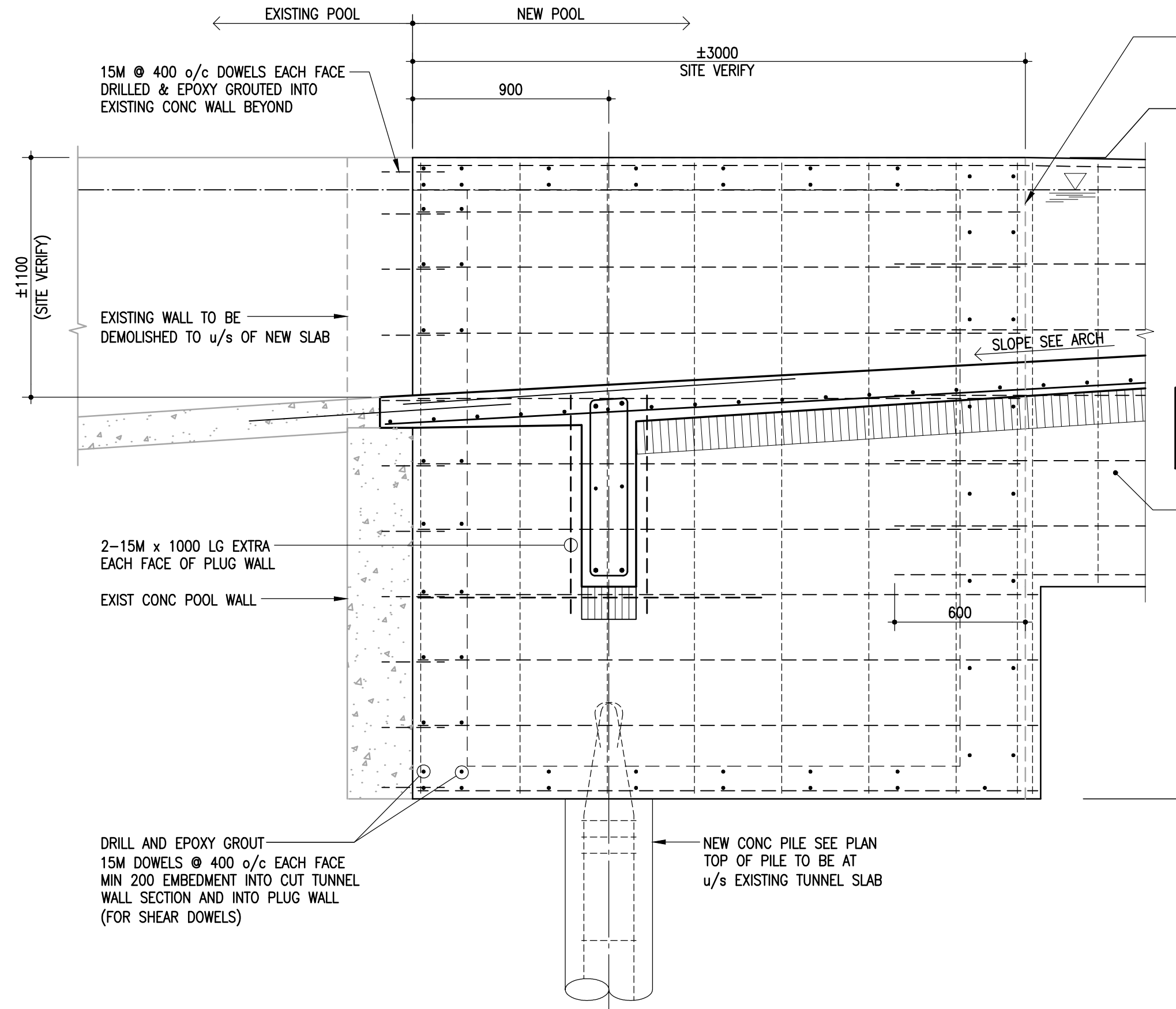
**5 SECTION**  
S-9 SCALE 1 : 20



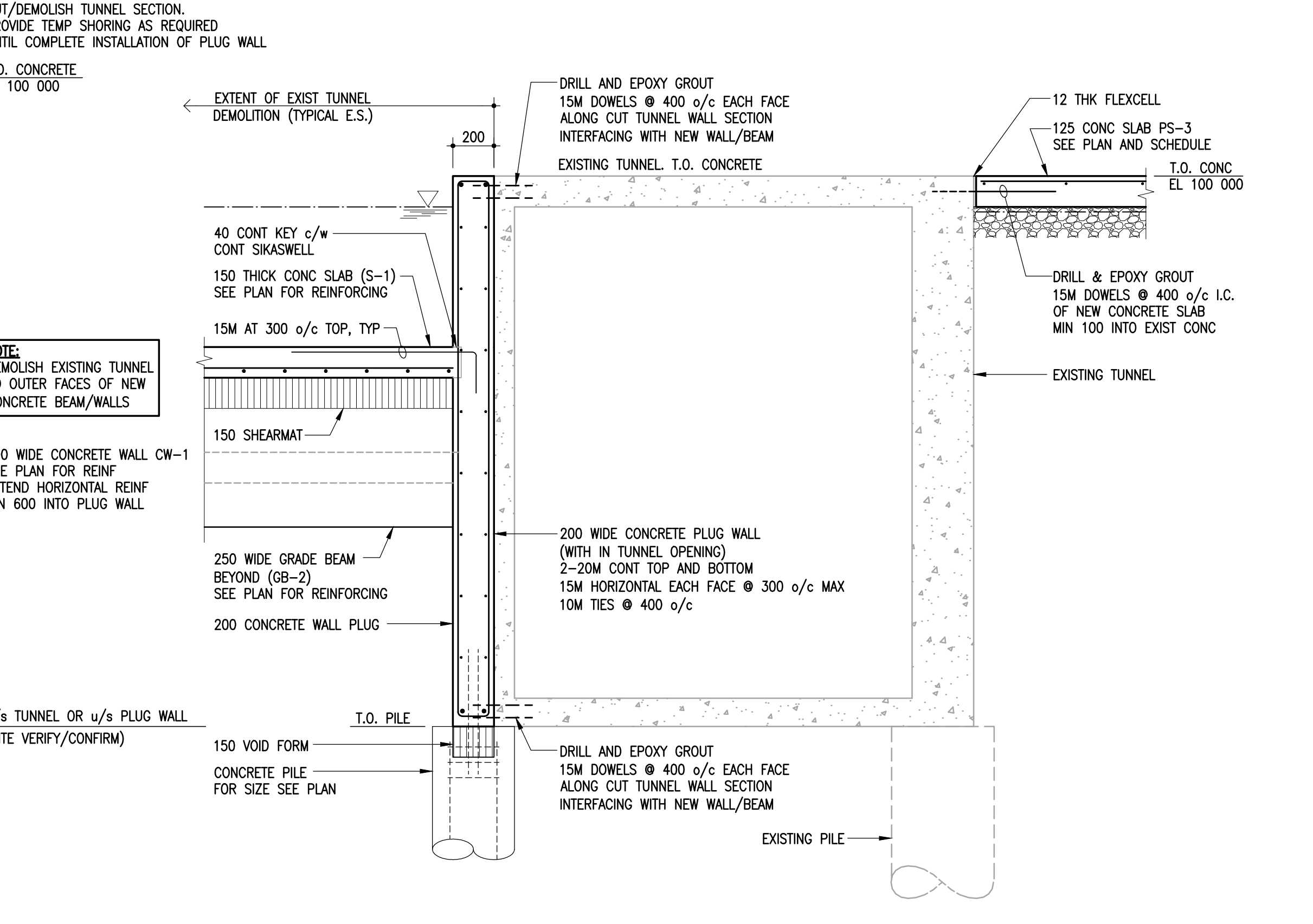
**2 SECTION**  
S-9 SCALE 1 : 20



**A DRAIN DETAIL**  
S-9 SCALE 1 : 20  
• COORDINATE DRAIN SIZE & LOCATIONS WITH MECH/LANDSCAPE ARCH



**3 SECTION**  
S-9 SCALE 1 : 20  
• TYPICAL AT PLUG WALL LOCATIONS (2 THUS)



**4 SECTION**  
S-9 SCALE 1 : 20  
• TYPICAL AT PLUG WALL LOCATIONS (2 THUS)

<p>300-375 Centre Street Winnipeg, Manitoba R2C 0A6 204-943-7207 204-943-7207 2014-0207</p> <p><b>Crosier Kilgour &amp; Partners Ltd.</b> CONSULTING STRUCTURAL ENGINEERS</p>		<p>300-115 Broadway Avenue East, Winnipeg, MB R2B 0R5 PH: 204-944-9907</p> <p><b>HTFC</b> PLANNING &amp; DESIGN</p> <p>Contact: Robyn Gibson</p>	<p><b>Shelmerdine Ltd.</b></p> <p>Contact: Ric Patiu, Ian Taylor</p>	<p><b>FUL-FLO INDUSTRIES LIMITED</b></p> <p>Contact: Doug Sinclair, Jason Hlatky</p>	<p><b>VOITEC</b></p> <p>204-235-0325 204-237-4650 voitec@voitec.com</p> <p>Contact: Wojtek Rzeszowski</p>	<p><b>McGOWAN RUSSELL</b></p> <p>Contact: Jackie Wilkie</p>	<p>Project: SAINT VITAL POOL &amp; BUILDING MODIFICATIONS 5 DES MEURONS WINNIPEG, MANITOBA</p> <p>Sheet Title: POOL SECTIONS</p> <p>Design: ATO Drawn: WBB Checked: ATO Scale: AS NOTED Date: 14/07/2014 File: 2014-0207</p> <p>Sheet No. <b>S-9</b> Rev. <b>1</b></p>
---	--	--	--	--	---	---	--